

# 602, 604, 624 SERIES

## Straight Line Action Clamps | Product Overview

### Features:

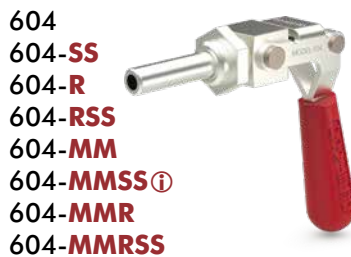
- Versatile and compact straight line action clamps
- Threaded body for through hole mounting
- -SS models are stainless steel
- DESTACO® Toggle Lock Plus™ versions available (604, 624 only)

### Applications:

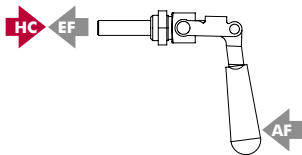
- Assembly
- Checking fixtures
- Welding fixtures
- Tensioning devices

### Also Available:

See page MC-ACC-1 for accessories



## Technical Information | Holding Capacities | Dimensions



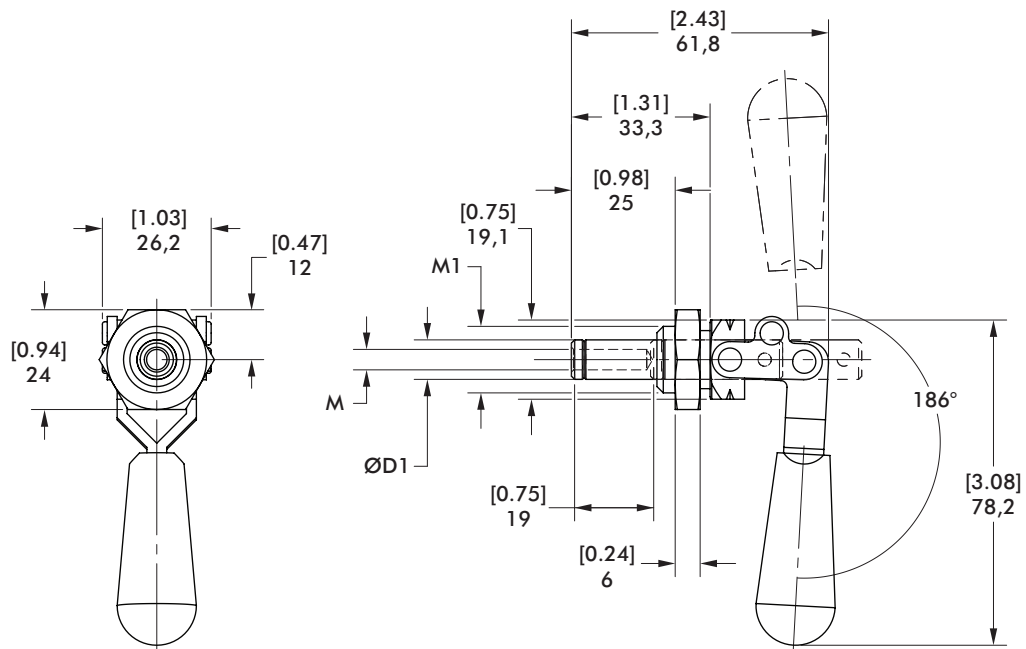
Model	Max. Holding Capacity	Weight	EF:AF (pushing/pulling)	Plunger Travel	Plunger Thread	Spindle (Recommended)	Mounting Nut (Supplied)		
602					1/4-20	205203	602105		
602-SS	[200 lbf]	[0.12 lb]	31:1/28:1	[0.75] 19	M6	202943	602905		
602-MM	900 N	0,05 kg				205203-M	602105-M		
602-MMSS						202943-M	602905-M		
604	[300 lbf]							207203	606104
604-R	1330 N		45:1/26:1	[1.50] 38	5/16-18		606904		
604-SS	[400 lbf]							--	
604-RSS	1780 N	[0.44 lb]							
604-MM	[300 lbf]	0,20 kg						207943	606104-M
604-MMR	1330 N								
604-MMSS ⓘ	[400 lbf]					207943-M (included)	606904-M		
604-MMRSS	1780 N								
624						210203	624105		
624-R			49:1/21:1	[2.63] 66	3/8-16				
624-SS									
624-RSS	[700 lbf]	[1.63 lb]						237943 (included)	624905
624-MM	3110 N	0,74 kg							
624-MMR									
624-MMRSS								M10	210203-M

ⓘ This item is available upon request HC = Holding Capacity, EF = Exerting Force, AF = Applied Force

# 602 SERIES

Straight Line Action Clamps | Dimensions | -SS/-MM/-MMSS

602  
602-SS  
602-MM  
602-MMSS



mm [INCH]  
THIRD ANGLE PROJECTION

Modell	ØD1	M	M1	SW
602	9,5 [0.37]	1/4-20	5/8-18	[0.88]
602-SS	10 [0.39]			22,4
602-MM	9,5 [0.37]	M6	M16x1.5	[0.94]
602-MMSS	10 [0.39]			24

# 604 SERIES

Straight Line Action Clamps | Dimensions | -SS/-MM/-MMSS/-R/-RSS/-MMR/-MMRSS

604

604-SS

604-MM

604-MMSS ①

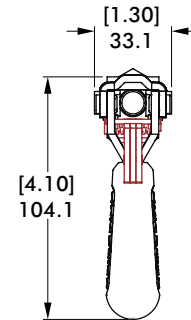
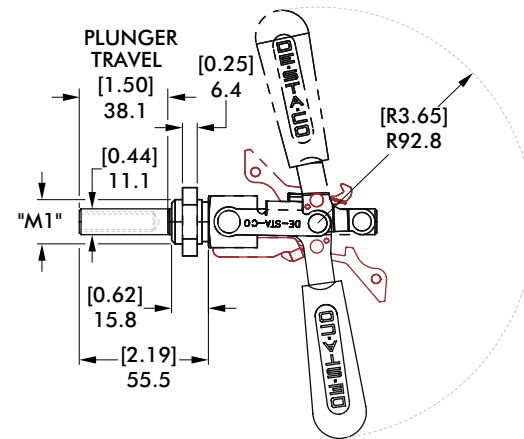
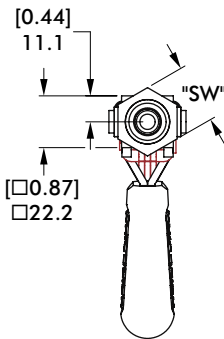
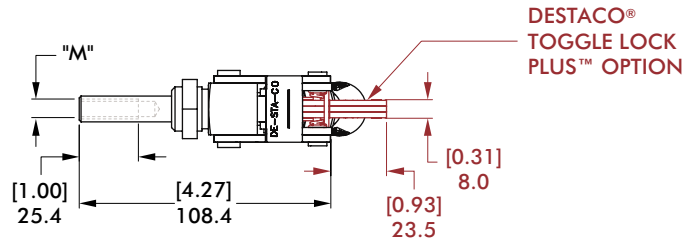


604-R

604-RSS

604-MMR

604-MMRSS



Model no.	M	M1	SW
604			
604-SS			[1.00] 25,4
604-R	5/16-18	3/4-16	
604-RSS			
604-MM			
604-MMSS			
604-MMR	M8	M20x1.5	[1.18] 30
604-MMRSS			

# 624 SERIES

## Straight Line Action Clamps | Dimensions | -SS/-MM/-R/-RSS/-MMR/-MMRSS

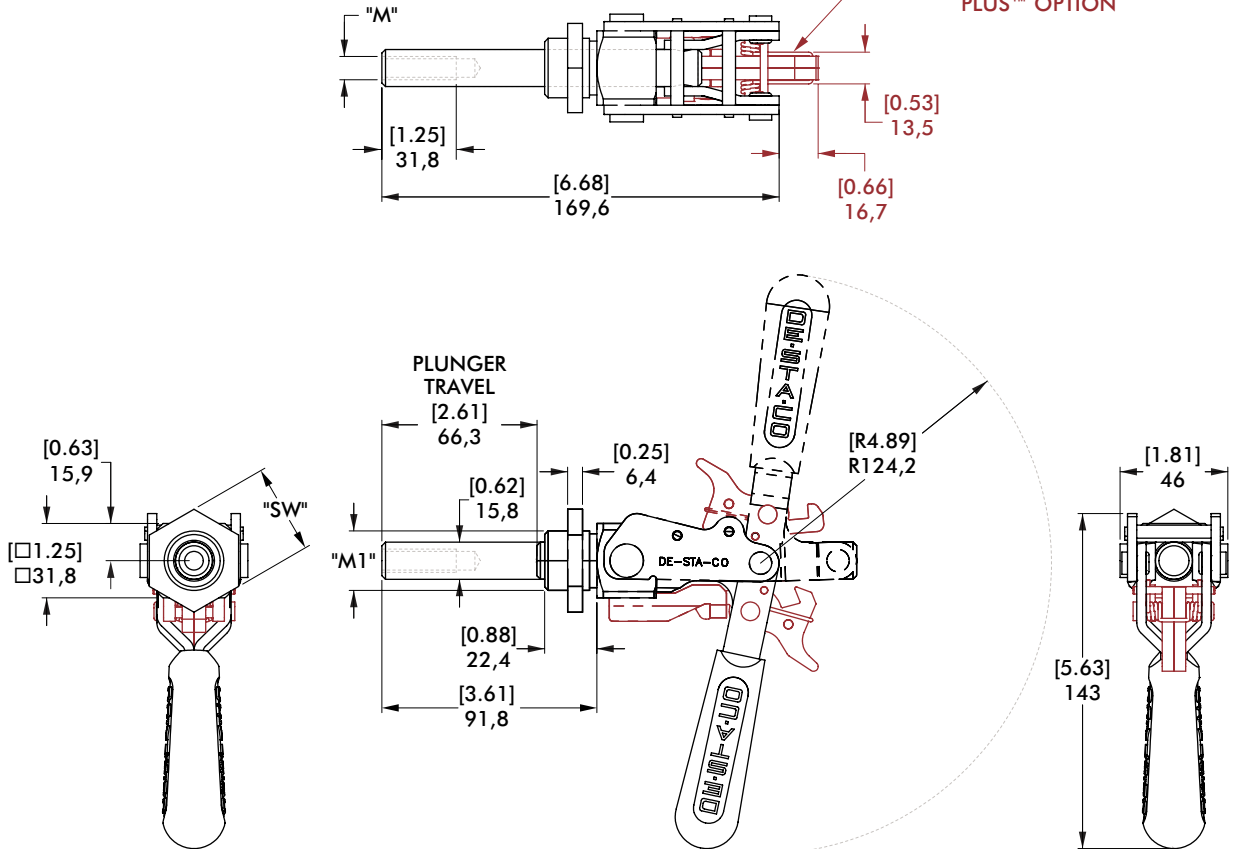
624  
624-SS  
624-MM



624-R  
624-RSS  
624-MMR  
624-MMRSS



DESTACO®  
TOGGLE LOCK  
PLUS™ OPTION



Model no.	M	M1	SW
624			
624-SS	3/8-16	1-14	[1.50] 38,1
624-R			
624-RSS			
624-MM			
624-MMR	M10	M27x2	[1.61] 41
624-MMRSS			